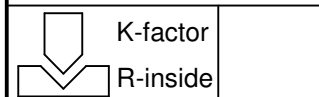
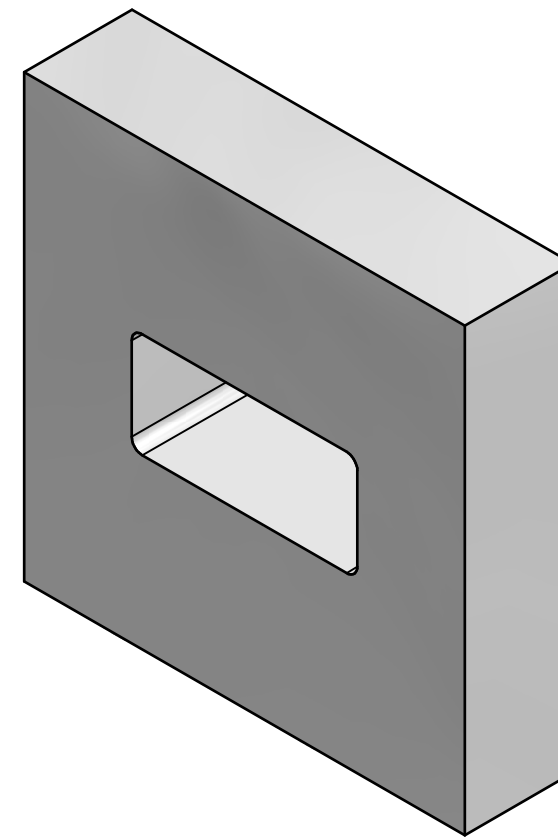
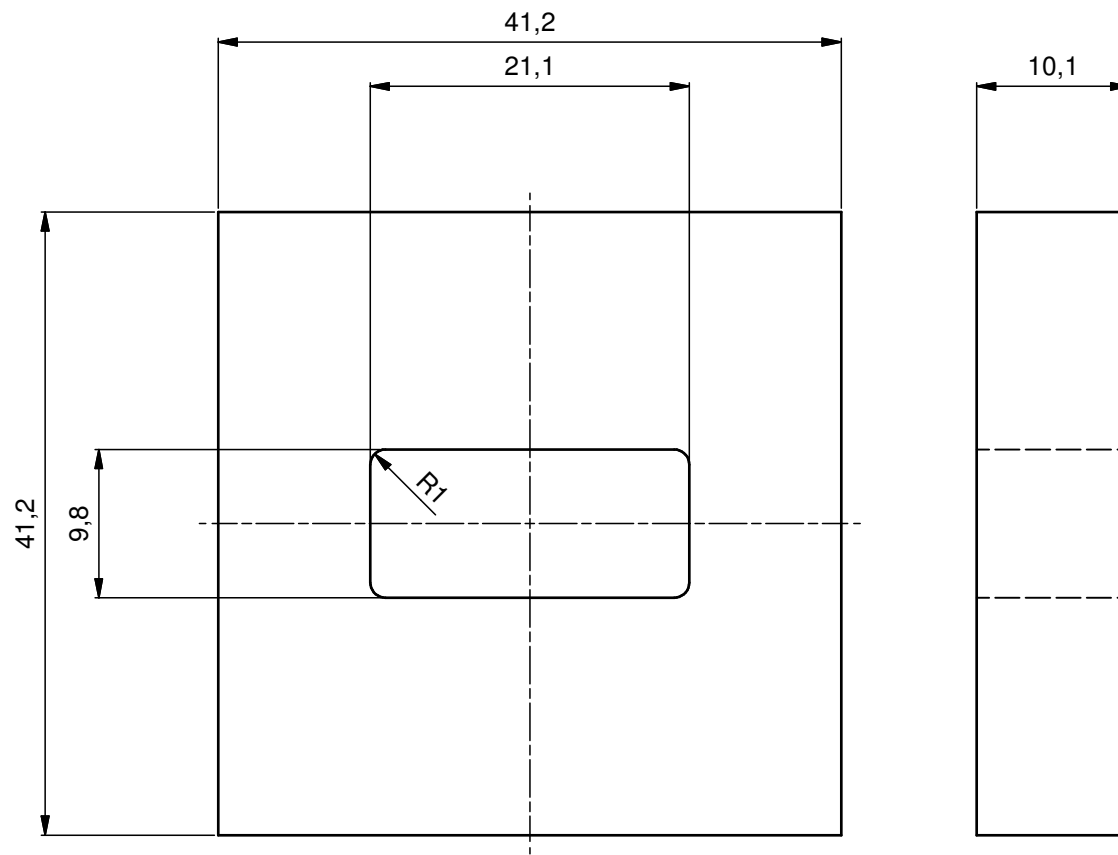


This document remains property of Comtest Engineering B.V. No part of this document may be reproduced or transmitted in any form or by any means, electronic or mechanic (including photocopying) for any purpose without the written consent of Comtest Engineering B.V.

**COMPANY CONFIDENTIAL**

Material	Mass	Length	Width	Thickness
Aluminium	0,041 kg			



CHECKED      CHECKED      CHECKED

Rev.	Date	Description	ENGINEER

Drawn By : <b>Martijn</b>	Status : Work in Progress	Appr. By :	Project: jk	Date: 01-04-2015	
			Description: Transformer section WR95-WR75		
			Item nr. AE0040341	Scale 2 : 1	Units mm
Doc. nr. AE0040342			Sheet A3	Tol. : ±0.5	